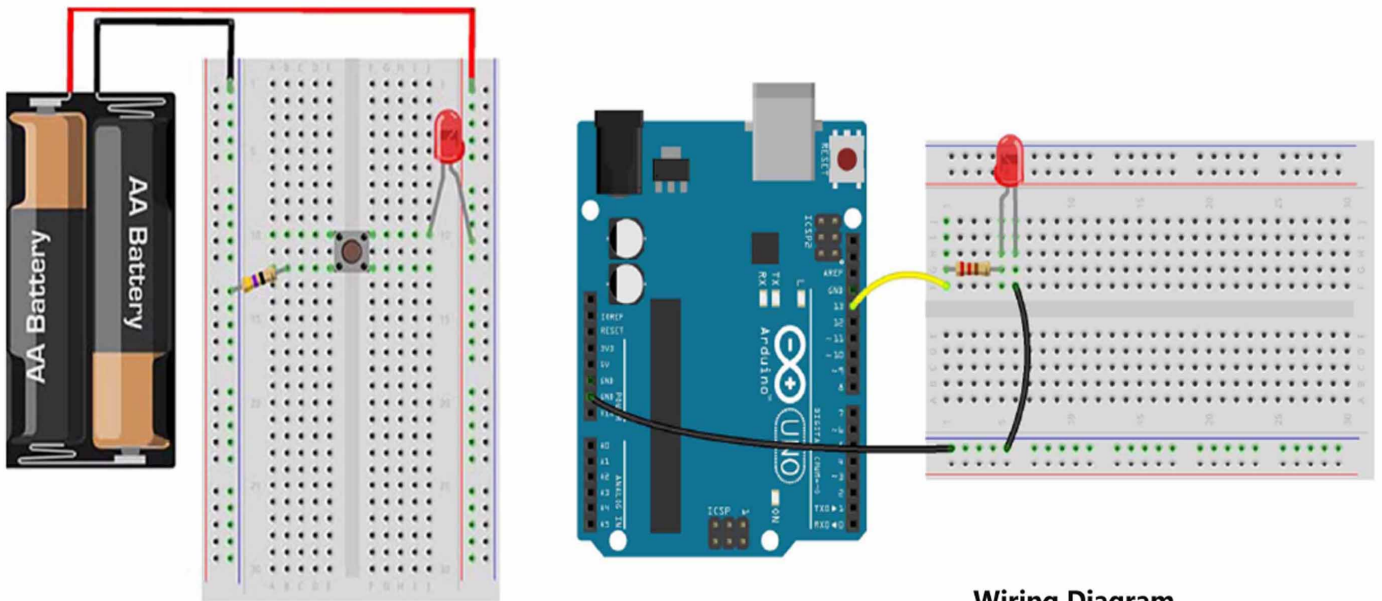


A breadboard is a rectangular plastic board with a bunch of tiny holes in it. These holes let you easily insert electronic components to prototype (meaning to build and test an early version of) an electronic circuit, like this one with a battery, switch, resistor, and an LED (light-emitting diode).

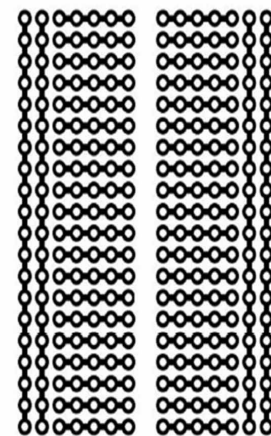
The connections are not permanent, so it is easy to remove a component if you make a mistake, or just start over and do a new project. This makes breadboards great for beginners who are new to electronics. You can use breadboards to make all sorts of fun electronics projects.

A breadboard is used to build and test circuits quickly before finalizing any circuit design.

Circuits using Breadboard



Wiring Diagram



Breadboard Connections

- Ground Bus Strip.
- Power Bus Strip.
- Terminal Strips.
- Conductors.
- Hole letters and Numbers.



Life must continue. And continue towards perfection, through progress, evolution, through self-initiative. Impatience cannot lead to do that. Frustration is its enemy.